

Delpheon IOT platform for Buildings, Energy and Industry

▶ Delpheon Edge

With Delpheon Edge the application software is running on the DelEdge gateway of Gadgeon which is connected on the customer network. A database on the customer network needs to be available for all data logging. All portals are running on the gateway. This kind of set-up is most used in IIOT and OEM environments . It works independent of the internet.

▶ Delpheon On premise

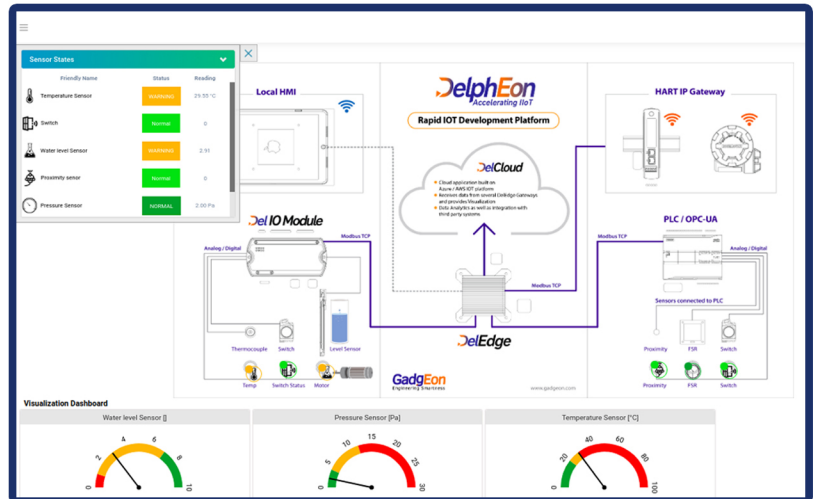
With Delpheon On premise, dashboards, portal and logic is running on a local server of the customer. Via gateways sensors can connect to the application. Internet is only needed for remote support

▶ Delpheon Azure

The Delpheon application is running on a tenant owned by the customer using Microsoft Azure or AWS. Any gateway or connected device can be integrated; Hosting costs are not included in the pricing

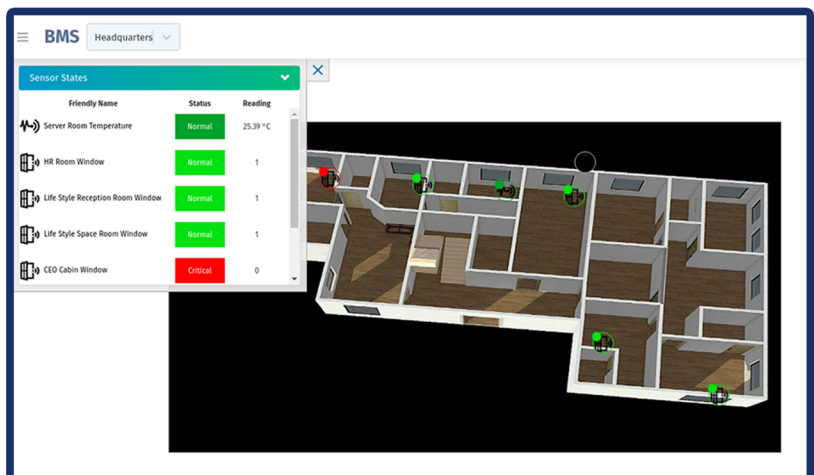
▶ Delpheon SaaS

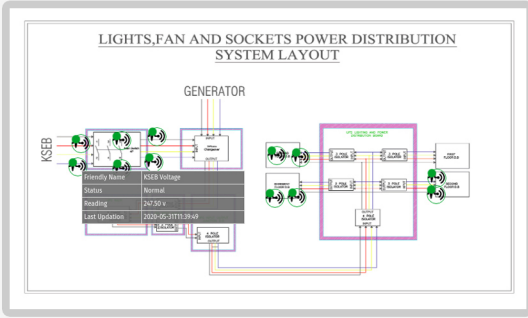
The Delpheon application is running on our Microsoft Azure platform and works with Option Cloudgates to capture data from a broad list of protocols and sensors. All license and hosting costs are included.



Delpheon is a digital twin monitoring application to analyse sensor data from buildings and operational installations. By collecting data from all kind of sensors (temp, electricity, gas, water, CO2, vibration, sound, laser optical, camera, read, ...) a digital twin portal is created to monitor the status of sensors, configure thresholds and alarms, sends notifications and make reports. Delpheon helps you saving time and money.

With Delpheon anyone can see the location, root and status. If you use our Del Modbus IObox you can use the output analogue / digital ports or one of both relais function for controlling. If you want to use the platform for operators, installers , managers or third party use, the different user role configurator can set the correct access rights for each role. You can buy the software as a one time investment or go for the license subscription model.





Rebranding, engineering and configuration

No limitation on number of users

Upload your own building layout, production floor or diagram

Large eco-system of partners with sensors

"All prices are excl. VAT and exclusive cost for installation on premise of sensors and gateways"

Licenses are invoiced yearly in advance

Price List

Basic Components

| | |
|--|---------------|
| Gateway Phoenix Contact PLCnext + LoRa gateway | 1,200.00 Euro |
| Extra Phoenix Contact LoRa Gateway | 750.00 Euro |
| Gateway Option Nano LoRa | 450.00 Euro |

Delpheon Platform license model (Cloud or On-premise hosting by customer)

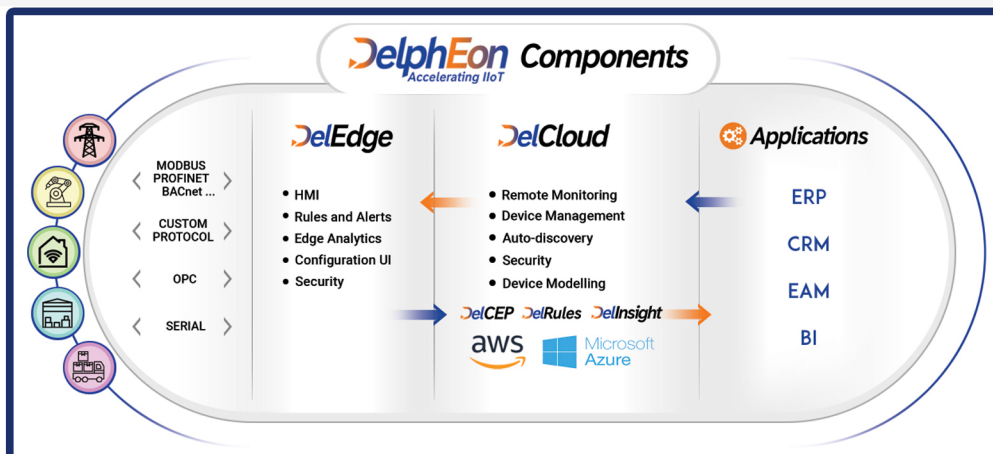
| | |
|---|----------------|
| Delpheon Platform license fees | 16,667.00 Euro |
| Platform setup and configuration charges | 4,333.00 Euro |
| Project management - Local | 1,750.00 Euro |
| Configuration charges per sensor | 50.00 Euro |
| Maintenance charges (Annual) <small>(starts after 3 months warranty)</small> | 2,500.00 Euro |

Delpheon SaaS Model (Managed service by Gadgeon)

| | |
|--|---------------|
| Platform setup and configuration charges | 4,333.00 Euro |
| Project management - Local | 1,750.00 Euro |
| Configuration charges per sensor | 50.00 Euro |
| First 50 data points (Monthly) | 167.00 Euro |
| Additional 100 data points (Monthly) | 125.00 Euro |

Extra (Based on customer need, not mandatory)

| | |
|--|---------------|
| New Development / Customization (per day) | 333.00 Euro |
| Integration & deployment Support at on-site (per hour) | 110.00 Euro |
| White-labelling with customer logo & details | 3,083.00 Euro |



Features of Delpheon

- ▶ Mapping the physical world to digital twin customizable factory/building floor or process scheme at different levels - company, factory, production line and machines.
- ▶ Complex event processing engine to create logical events
- ▶ Device management - manage all hardware and software components deployed
- ▶ Real time remote monitoring of connected devices
- ▶ SMS, e-mail and Push notification alert mechanism and dynamic custom thresholds
- ▶ Creation of custom charts and trend dashboards for critical business parameters
- ▶ Application Programming Interface (API) for third party or enterprise application integration.
- ▶ Secure API interfacing with AUTH0 authenticated login
- ▶ Machine learning and AI based analytic engine for real time descriptive and predictive insights
- ▶ Integrates with Del Edge, Option Cloudgate 4 , Cloudgate Nano and Option Cloudgate IOBox

